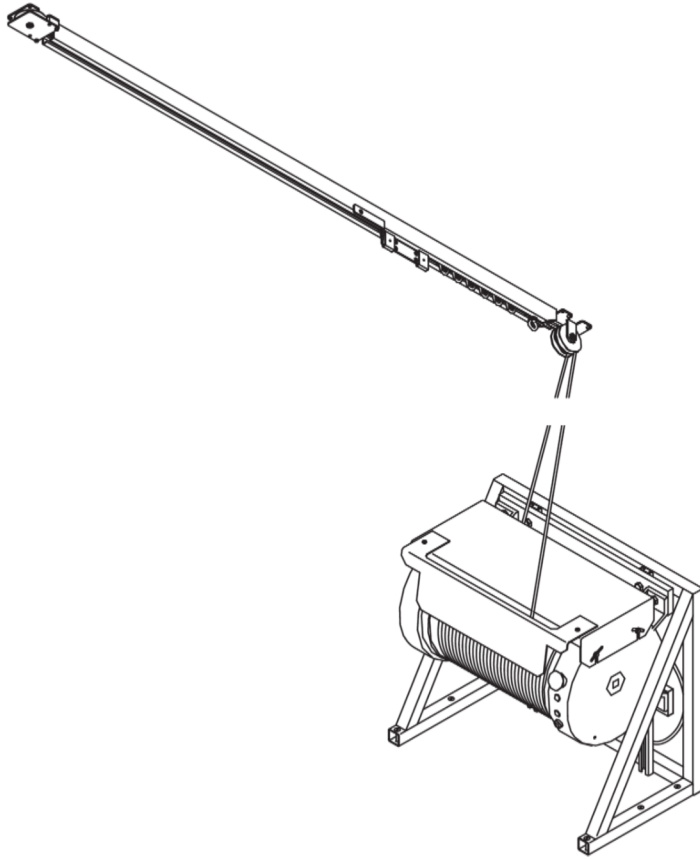
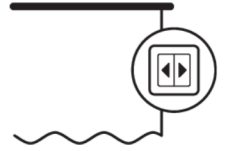


SG 5800



PRODUCT INFORMATION

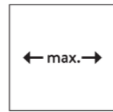
- **Operation:** motorised
- **Range:** L
- **Fitting:** ceiling, floor/wall motor fitting
- **Colours:** white RAL 9016 or anodised aluminum, special colours possible
- **Fabrics:** refer to Silent Gliss fabric collection

Features:

- Very heavy duty, up to 270 kg curtain weight
- Various control options
- Emergency stop button
- Bendable

SYSTEM SPECIFICATIONS

A. SYSTEM DIMENSIONS



60 m



270 kg

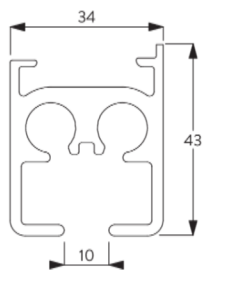
Max. curtain weights

| | 10 m | 20 m | 30 m | 40 m | 50 m | 60 m |
|--|------|------|------|------|------|------|
| | 245 | 227 | 210 | - | - | - |
| | 270 | 252 | 234 | 216 | 198 | 180 |
| | 185 | 173 | 160 | - | - | - |
| | 190 | 180 | 170 | 160 | 150 | 140 |
| | 135 | 127 | 120 | - | - | - |
| | 140 | 132 | 124 | 116 | 108 | 100 |
| | 70 | 65 | 60 | - | - | - |
| | 75 | 68 | 61 | 54 | 47 | 40 |
| | 55 | 45 | 40 | - | - | - |
| | 60 | 57 | 54 | 51 | 48 | 45 |

(kg max.)

B. PROFILE

Profile and bending information



SG 5810

Profile

Radius:
>50 cm