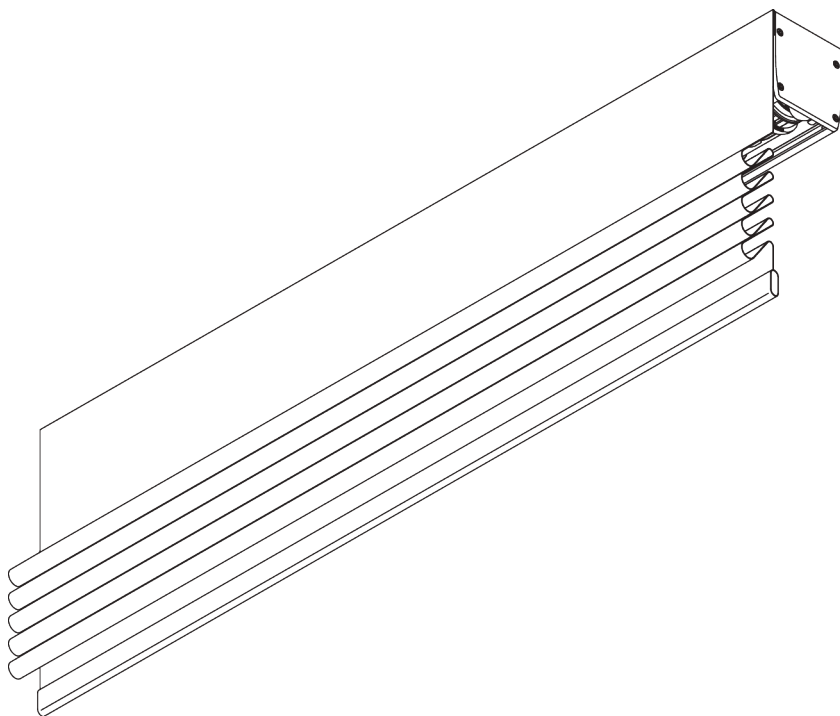


SG 2350



PRODUCT INFORMATION

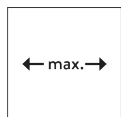
- **Operation:** motorised
- **Range:** S - L
- **Fitting:** ceiling, wall
- **Colours:** white RAL 9016
- **Fabrics:** refer to Silent Gliss fabric collection

Features:

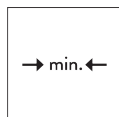
- Quiet and fast motors
- Soft stop
- Various control options
- Enclosed headrail

SYSTEM SPECIFICATIONS

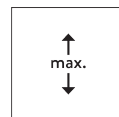
A. SYSTEM DIMENSIONS



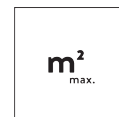
6 m



60 cm



6 m



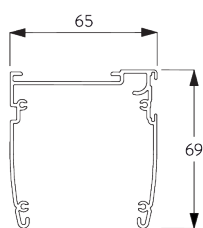
36 m²



15 kg

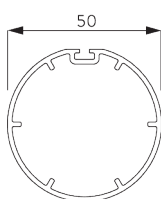
B. PROFILE

Profile information



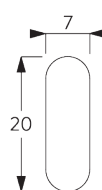
SG 2351

Profile



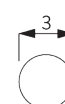
SG 2352

Profile ø 50 mm



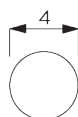
SG 2004

Bottom bar 20x7 mm



SG 2135

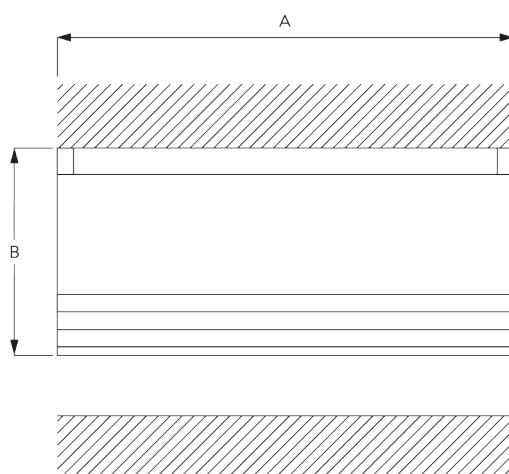
Rod steel ø 3 mm



SG 2137

Rod fiberglass ø 4 mm

C. HOW TO MEASURE



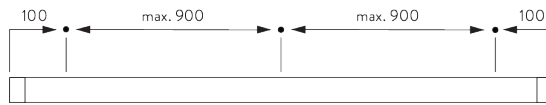
A: System width
B: System height

FITTING

A. FITTING INFORMATION

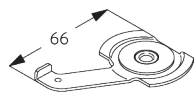
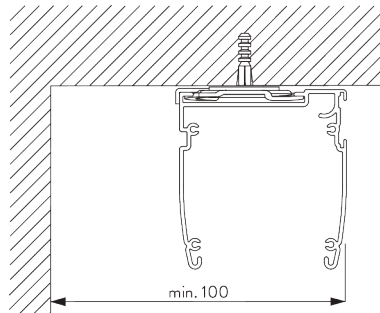
For detailed fitting information, visit the Silent Gliss website.

Fixing points



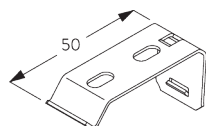
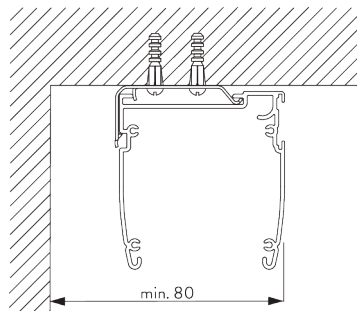
B. CEILING FITTING

Clamp SG 3003



SG 3003
Clamp

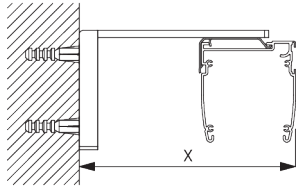
Bracket SG 2521



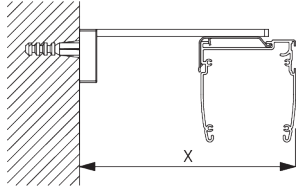
SG 2521
Bracket

C. WALL FITTING

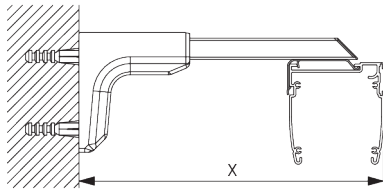
Smart Fix



Smart Fix SG 11200 - SG 11204 and bracket SG 2521:
Screw SG 10395 (M4x6) needed.

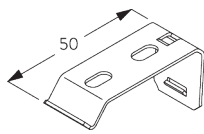


Square Smart Fix SG 11210 - SG 11214 and bracket SG 2521:
Screw SG 10395 (M4x6) needed.



Universal Smart Fix SG 11154 - SG 11156 and bracket SG 2521:
Screw SG 10492 (M4x8) needed.

Smart Fix	X mm
SG 11200 / SG 11210	80-84
SG 11201 / SG 11211	100-104
SG 11202 / SG 11212	120-124
SG 11203 / SG 11213	140-144
SG 11204 / SG 11214	170-174
SG 11154	134-162
SG 11155	164-192
SG 11156	214-242



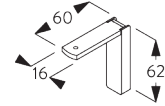
SG 2521
Bracket



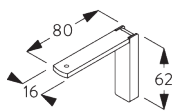
SG 10395
Pan head screw M4x6



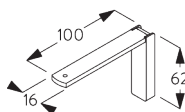
SG 10492
Pan head screw M4x8



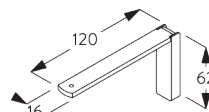
SG 11200
Smart Fix 60 mm



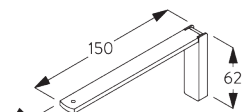
SG 11201
Smart Fix 80 mm



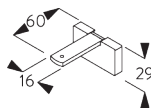
SG 11202
Smart Fix 100 mm



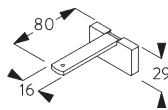
SG 11203
Smart Fix 120 mm



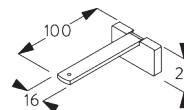
SG 11204
Smart Fix 150 mm



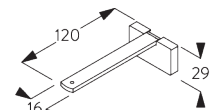
SG 11210
Square Smart Fix 60 mm



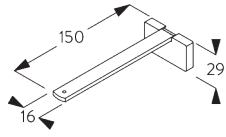
SG 11211
Square Smart Fix 80 mm



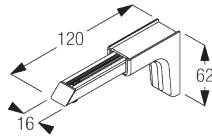
SG 11212
Square Smart Fix 100 mm



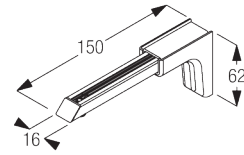
SG 11213
Square Smart Fix 120 mm



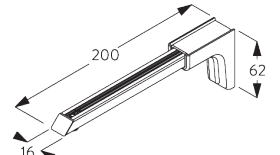
SG 11214
Square Smart Fix 150 mm



SG 11154
Universal Smart Fix 120 mm

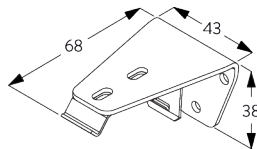
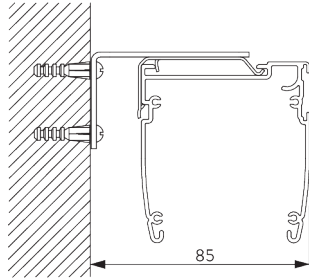


SG 11155
Universal Smart Fix 150 mm



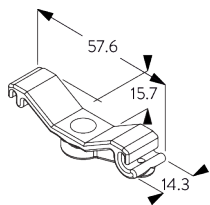
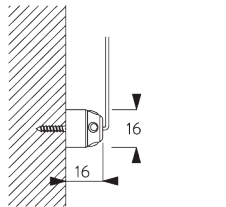
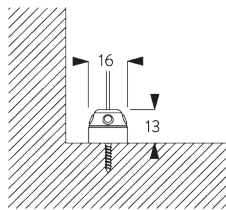
SG 11156
Universal Smart Fix 200 mm

Bracket SG 2363

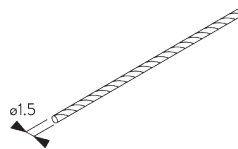


SG 2363
Bracket 68 mm

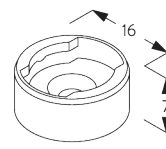
D. FITTING WITH SIDE GUIDE OPTION



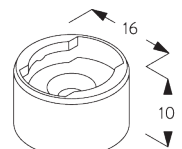
SG 2362
Side guide wire holder



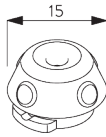
SG 4948
Side guide wire ϕ 1.5 mm



SG 8235
Side guide wire base short

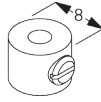


SG 8236
Side guide wire base long



SG 8237

Side guide wire holder

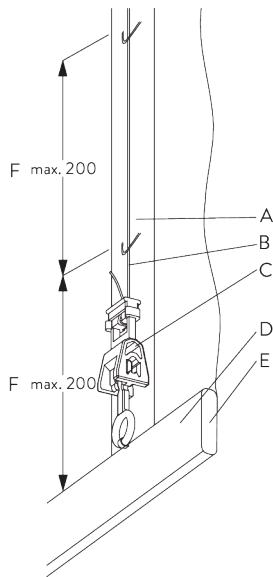


SG 8249

Side guide device

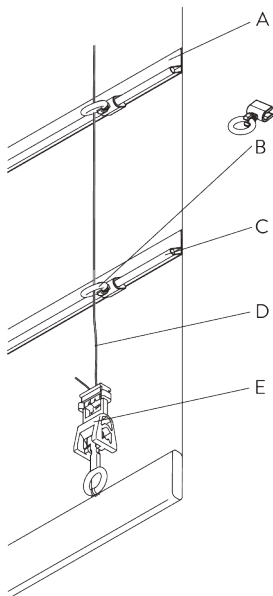
SYSTEM OPTIONS

A. FABRIC MAKE-UP



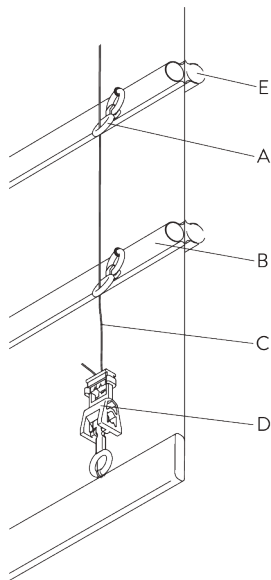
Type A (standard)

- A: Loop tape SG 3074
- B: Cord SG 2216
- C: Child safety hook set SG 3164
- D: Hollow hem
- E: Bottom bar SG 2004
- F: Child safety: max. distance 200 mm



Type B (rod)

- A: Hollow hem
- B: Child safety eyelet hard fold SG 3069
- C: Rod SG 2135
- D: Cord SG 2216
- E: Child safety hook set SG 3164



Type C (rod)

A: Child safety eyelet set SG 3161

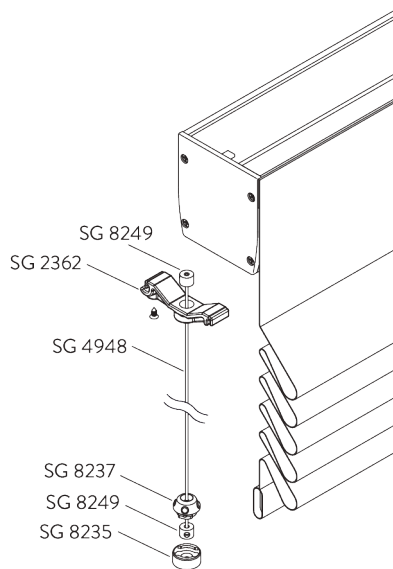
B: Rod SG 2135 / SG 2137

C: Cord SG 2216

D: Child safety hook set SG 3164

E: Option: Rod SG 2135 / SG 2137 can be installed to room side

B. SIDE GUIDES



Additional parts:

- 2x SG 2362 Side guide wire holder
- 2x SG 4948 Side guide wire \varnothing 1.5 mm
- 2x SG 8235 Side guide wire base short
- 2x SG 8237 Side guide wire holder
- 4x SG 8249 Side guide device

Note:

- Up to 15° from vertical

MOTORS & CONTROLS

A. MOTOR FEATURES

Motors	20-Series	20-Series	10-Series K	5-Series
	SG 10323 SG 10523	SG 10322 SG 10522	SG 10514	SG 10715

Motor Features

Soft stop	●	●		
Electronic end-stop	●	●		
Electronic revolution counter (unlimited revolution)	●	●		
Mechanical end-stop			●	●
Mechanical revolution counter (limited revolution)			●	●
Two intermediate positions possible	●			
Noiseless stop	●	●	●	
Parallel wiring possible without additional relays	●	●		
Disconnectable motor cable	●	●		
IP class	IP 44	IP 44	IP 44	IP 44

Control Features

Mains power control	●	●	●	●
SG Control L (built-in receiver)	●			
Suitable for most major home automation systems (with suitable interface)	●	●	●	●

B. MOTOR SPECIFICATIONS

See website for wiring diagram.

Motors	Max. weight	Min. system width	Voltage	Current	Frequency	Speed	Frequency receiver
20-Series							
SG 10322 (Standard)	15 kg	60 cm	230 V AC	0.73 A	50 Hz	30 rpm	-
SG 10323	15 kg	60 cm	230 V AC	0.73 A	50 Hz	30 rpm	868/915 MHz
SG 10522	7.5 kg	60 cm	230 V AC	0.55 A	50 Hz	30 rpm	-
SG 10523	7.5 kg	60 cm	230 V AC	0.55 A	50 Hz	30 rpm	868/915 MHz
10-Series K							
SG 10514	7.5 kg	60 cm	230 V AC	0.52 A	50 Hz	30 rpm	-
5-Series							
SG 10715	15 kg	60 cm	230 V AC	0.485 A	50-60 Hz	28 rpm	-

C. OPERATING METHODS

See catalogue "controls" for details.

Wall Switch



System can be operated by fixed wall switch.

SG Control L



Various radio hand-held and wall transmitters available.



Silent Gliss Move App.



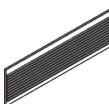
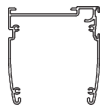
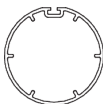



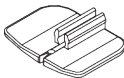

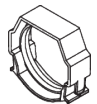

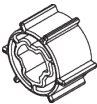

D. WIRING
DIAGRAMS

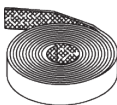
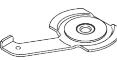
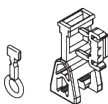
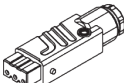
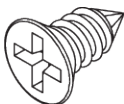


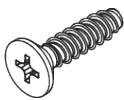


Refer to Silent Gliss website.

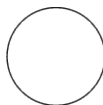
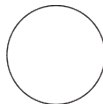





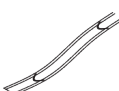




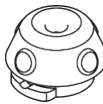
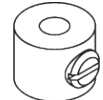
PARTS

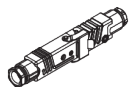
A. STANDARD PARTS

	SG 2004 Bottom bar 20x7 mm
	SG 2216 Cord \varnothing 0.85 mm
	SG 2221 Velcro tape
	SG 2351 Profile
	SG 2352 Profile \varnothing 50 mm
	SG 2353 End cover
	SG 2354 End cover
	SG 2355 Tube adapter
	SG 2357 Pin
	SG 2358 Shell
	SG 2359 Support
	SG 2361 Tube adapter
	SG 2366 Motor drive
	SG 2368 Motor plate

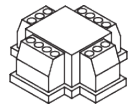
	SG 2539 Tape
	SG 3003 Clamp
	SG 3164 Child safety hook set
	SG 9917 Hirschmann portable socket-outlet STAK 3 N
	SG 10139 Countersunk screw 2.9x6.5
	SG 10284 O-Ring
	SG 10322 Tubular motor 230V AC, 20 Series S 5/30
	SG 11324 PT Screw Countersunk KA35x14

B. OPTIONAL PARTS

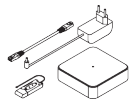
	SG 2135 Rod steel \varnothing 3 mm
	SG 2137 Rod fiberglass \varnothing 4 mm
	SG 2362 Side guide wire holder
	SG 2363 Bracket 68 mm
	SG 2521 Bracket
	SG 3055 Hook
	SG 3069 Child safety eyelet
	SG 3074 Loop tape
	SG 3161 Child safety eyelet set
	SG 4948 Side guide wire \varnothing 1.5 mm
	SG 8235 Side guide wire base short
	SG 8236 Side guide wire base long
	SG 8237 Side guide wire holder
	SG 8249 Side guide device



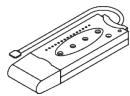
SG 9916
Hirschmann plug set



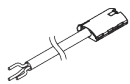
SG 9959
Central control unit relay



SG 9960
Move server set



SG 9961
Move transmitter



SG 10293
Cable 230V AC, 2/3/5/10 m



SG 10300
Radio hand held 1 channel



SG 10302
Radio hand held 5+1 channel



SG 10303
Radio hand held 10+2+1 channel



SG 10323
Tubular motor 230V AC, 20-Series S 5/30, radio receiver



SG 10395
Pan head screw M4x6



SG 10492
Pan head screw M4x8



SG 10514
Tubular motor 230V AC, 10 Series S 3/30 K



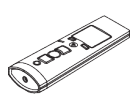
SG 10522
Motor 230V AC, 20-Series S 3/30



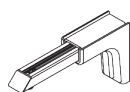
SG 10523
Motor 230V AC, 20-Series S 3/30, radio receiver



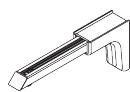
SG 10715
Tubular motor 230V AC, 5 Series S 6/28



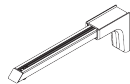
SG 10804
Radio hand held 15+5+1 channel



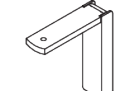
SG 11154
Universal Smart Fix 120 mm



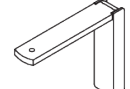
SG 11155
Universal Smart Fix 150 mm



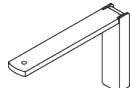
SG 11156
Universal Smart Fix 200 mm



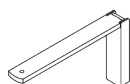
SG 11200
Smart Fix 60 mm



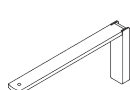
SG 11201
Smart Fix 80 mm



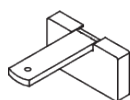
SG 11202
Smart Fix 100 mm



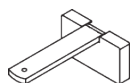
SG 11203
Smart Fix 120 mm



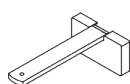
SG 11204
Smart Fix 150 mm



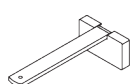
SG 11210
Square Smart Fix 60 mm



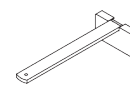
SG 11211
Square Smart Fix 80 mm



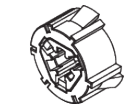
SG 11212
Square Smart Fix 100 mm



SG 11213
Square Smart Fix 120 mm



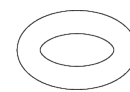
SG 11214
Square Smart Fix 150 mm



SG 11351
Motor drive 5-Series



SG 11480
Radio wall transmitter 1 channel



SG 11482
Ring



SG 11490
Radio wall transmitter 5+1 channel

