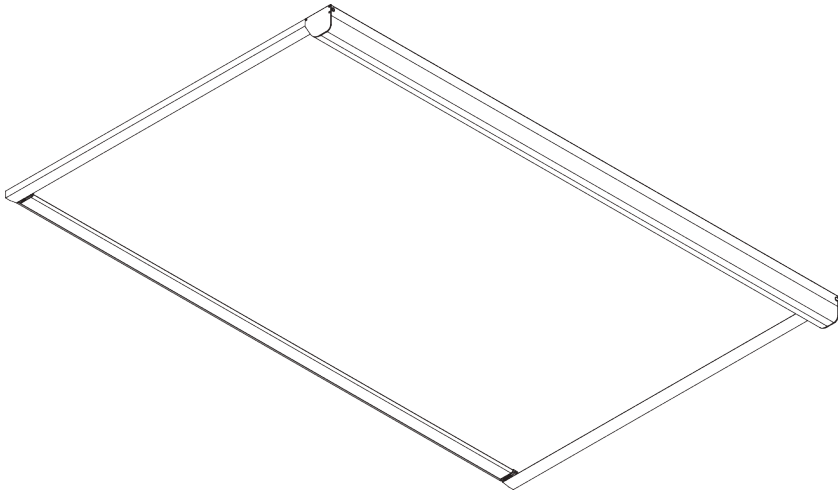


# SG 8640

---



## PRODUCT INFORMATION

- **Operation:** motorised
- **Range:** S - L
- **Fitting:** ceiling, wall, recess
- **Colours:** white RAL 9016, special colours possible
- **Fabrics:** refer to Silent Gliss fabric collection

### **Features:**

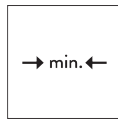
- Tensioned roller blind
- Various control options
- Any angle
- Fabric zip technology
- Dim Out with appropriate fabric selection

# SYSTEM SPECIFICATIONS

## A. SYSTEM DIMENSIONS



3 m



65 cm



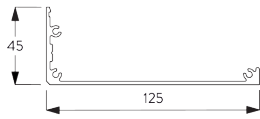
Headbox S / M: 3 m  
Headbox L: 4.5 m



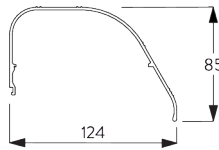
Headbox S / M: 9 m<sup>2</sup>  
Headbox L:  
13 m<sup>2</sup> / 11 m<sup>2</sup>

## B. PROFILE

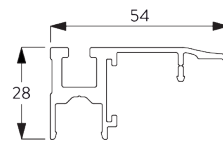
### Profile information



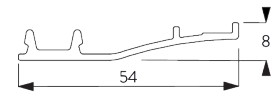
**SG 8641**  
Box case S/M 105x125 mm



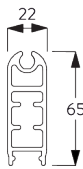
**SG 8642**  
Box cover S/M 105x125 mm



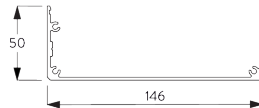
**SG 8643**  
Side guide case inside fitting



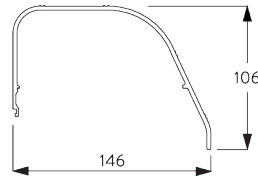
**SG 8644**  
Side guide cover



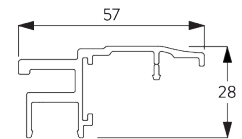
**SG 8645**  
Bottom bar



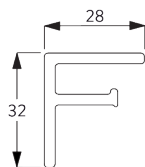
**SG 8661**  
Box case Large 126x146 mm



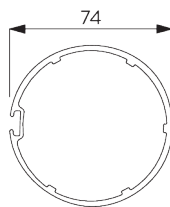
**SG 8662**  
Box cover Large 126x146 mm



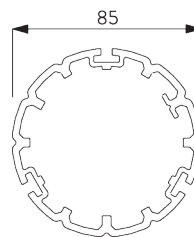
**SG 8663**  
Side guide case inside fitting



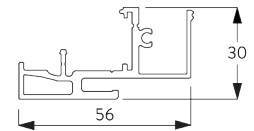
**SG 8664**  
Side guide profile inside fitting



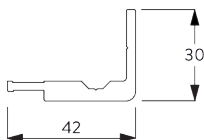
**SG 8665**  
Tube  $\varnothing$  74 mm



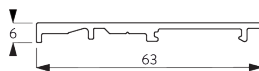
**SG 8666**  
Tube Large  $\varnothing$  85 mm



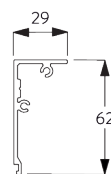
**SG 8672**  
Side guide case



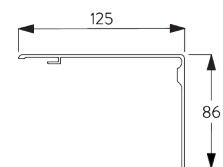
**SG 8673**  
Concealed side guide profile



**SG 8674**  
Concealed side guide cover

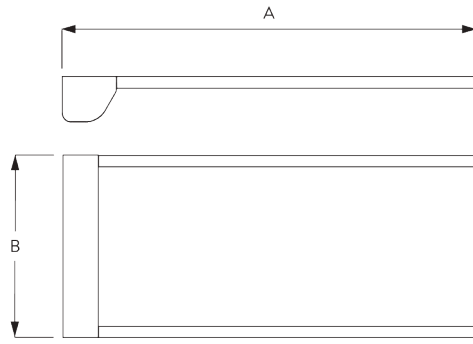


**SG 8677**  
Concealed box cover 105x125 mm



**SG 8678**  
Concealed box cover lid 105x125 mm

**C. HOW TO  
MEASURE**



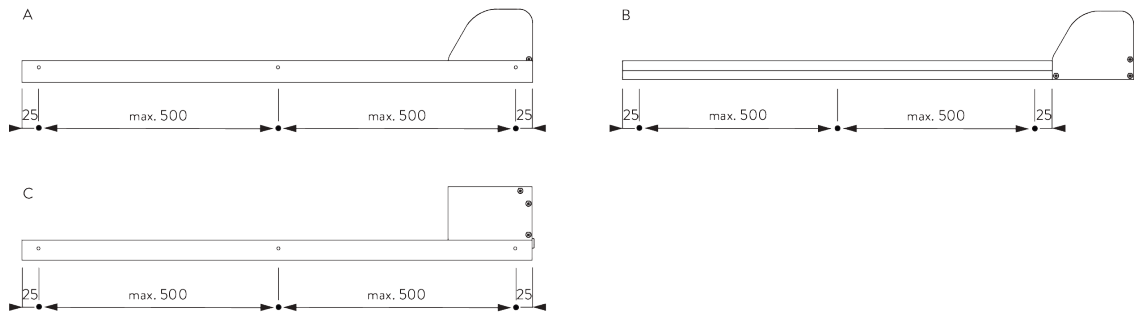
A: System length  
B: System width

# FITTING

**A. FITTING  
INFORMATION**

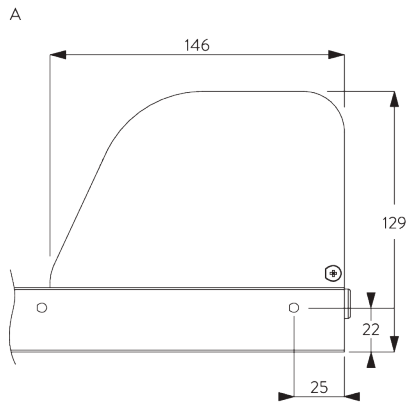
For detailed fitting information, visit the *Silent Gliss* website.

**Fixing points**



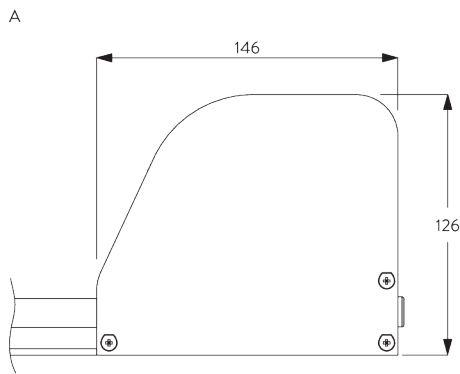
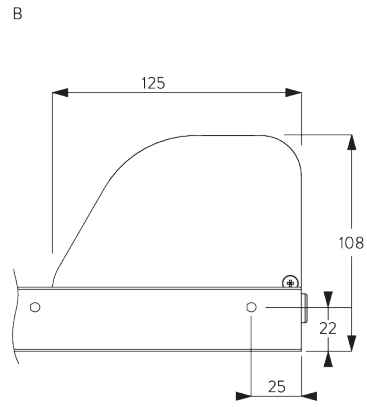
A: Inside recess fitting  
B: Face fitting  
C: Concealed recess fitting

# Headbox dimensions



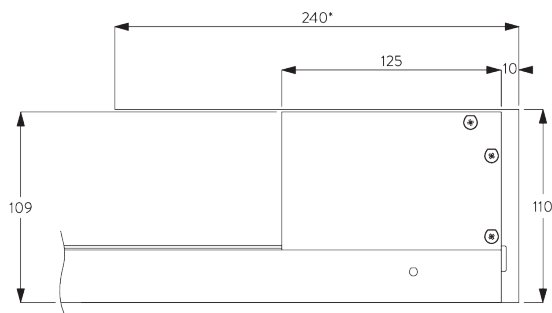
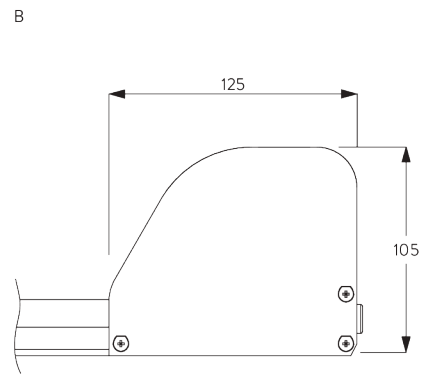
Inside recess fitting

A: Headbox L  
B: Headbox S / M



Face fitting

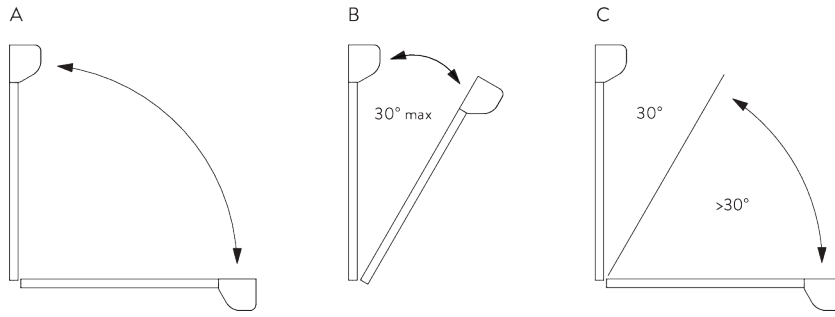
A: Headbox L  
B: Headbox S / M



Concealed recess fitting  
Concealed recess headbox

\*recess depth required to fully conceal hembar when retracted!

## Fitting angles



**A: Headbox S / M:**

3 m wide x 3 m draw / 9 m<sup>2</sup> any angle

**B: Headbox L:**

3 m wide x 4.5 m draw /

13 m<sup>2</sup> no greater than 30° from vertical

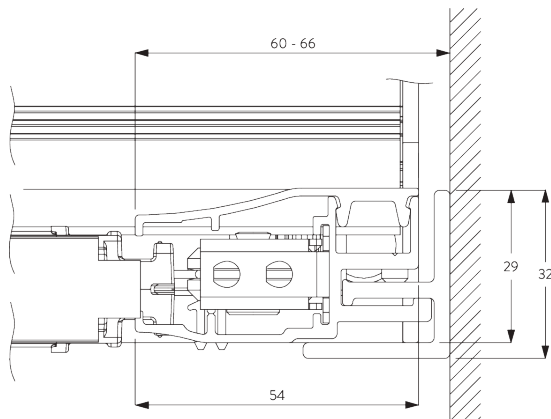
**C: Headbox L:**

Max. 2.5 m wide x 4.5 m draw /

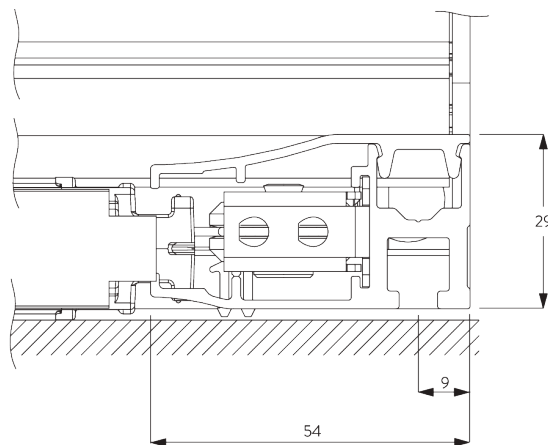
11 m<sup>2</sup> greater than 30° from vertical

Concealed recess option max. 3 m wide x 3 m draw any angle.

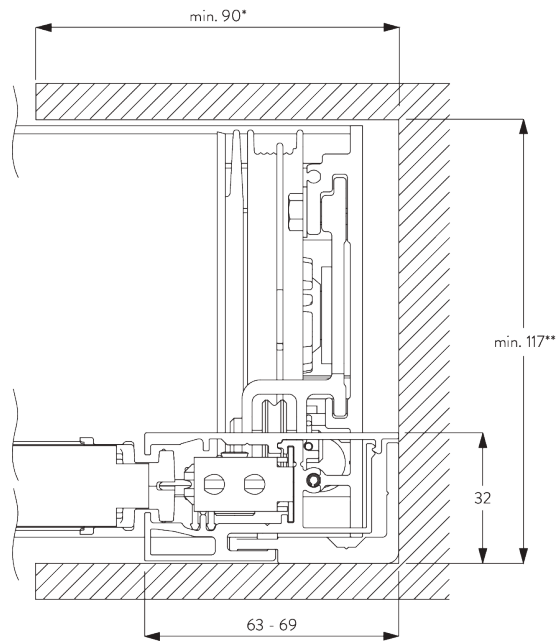
## B. INSIDE RECESS FITTING



## C. FACE FITTING



**D. CONCEALED  
RECESS FITTING**



\*recess depth required to fully conceal hem bar end caps  
\*\*min. 125 mm if head box lid is used

# MOTOR & CONTROLS

**A. MOTOR  
FEATURES**

Motor	SG 8657 / SG 8658
<b>Motor Features</b>	
Soft start / stop	●
Electronic end-stop	●
Electronic revolution counter (unlimited revolution)	●
Cable connectable with plug into motor	●
IP class	IP 30
<b>Control Features</b>	
Mains power control	●
SG Control L (external receiver required)	●
Suitable for most major home automation systems (with suitable interface)	●

**B. MOTOR  
SPECIFICATIONS**

Motor	Voltage	Current	Frequency	Speed
SG 8657 / SG 8658	100-240 V AC	0.8 A	50 / 60 Hz	12 rpm

See website for wiring diagram.

**C. OPERATING  
METHODS**

See catalogue "controls" for details.

**Wall Switch**



System can be operated by fixed wall switch.

**SG Control L**



Various radio hand-held and wall transmitters available.  
An external receiver is required.



Silent Gliss Move App.

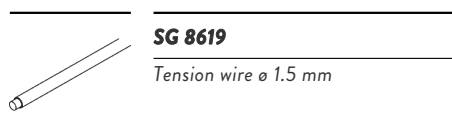
**D. WIRING  
DIAGRAMS**



Refer to the Silent Gliss website.

# PARTS

## A. STANDARD PARTS



**SG 8619**

Tension wire  $\varnothing$  1.5 mm



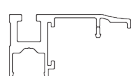
**SG 8641**

Box case S/M 105x125 mm



**SG 8642**

Box cover S/M 105x125 mm



**SG 8643**

Side guide case inside fitting



**SG 8644**

Side guide cover



**SG 8645**

Bottom bar



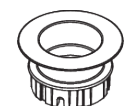
**SG 8646**

Cable spool left



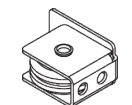
**SG 8647**

Cable spool right



**SG 8648**

Tube adapter



**SG 8649**

Pulley



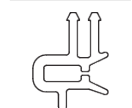
**SG 8656**

Spring



**SG 8657**

Motor kit



**SG 8659**

Zip profile



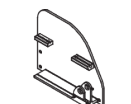
**SG 8665**

Tube  $\varnothing$  74 mm



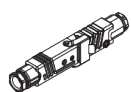
**SG 8667**

End cover left S/M 105x125 mm



**SG 8668**

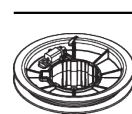
End cover right S/M 105x125 mm



**SG 9916**

Hirschmann plug set

## B. OPTIONAL PARTS



**SG 8651**

Cable spool left Large



**SG 8652**

Cable spool right Large



**SG 8653**

Tube adapter Large



**SG 8658**

Motor kit L



**SG 8661**

Box case Large 126x146 mm



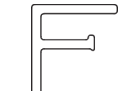
**SG 8662**

Box cover Large 126x146 mm



**SG 8663**

Side guide case inside fitting



**SG 8664**

Side guide profile inside fitting



**SG 8666**

Tube Large  $\varnothing$  85 mm



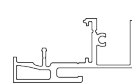
**SG 8669**

End cover left Large 126x146 mm



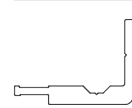
**SG 8671**

End cover right Large 126x146 mm



**SG 8672**

Side guide case



**SG 8673**

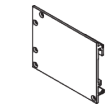
Concealed side guide profile



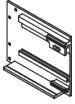
**SG 8674**

Concealed side guide cover

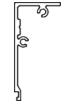


**SG 8675**

Concealed end cover left 105x125 mm

**SG 8676**

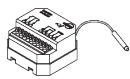
Concealed end cover right 105x125 mm

**SG 8677**

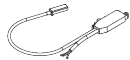
Concealed box cover 105x125 mm

**SG 8678**

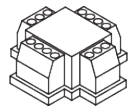
Concealed box cover lid 105x125 mm

**SG 9068**

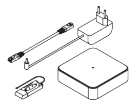
Radio receiver Revio

**SG 9945**

Radio receiver 1 channel

**SG 9959**

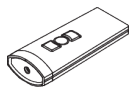
Central control unit relay

**SG 9960**

Move server set

**SG 9961**

Move transmitter

**SG 10300**

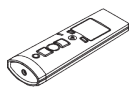
Radio hand held 1 channel

**SG 10302**

Radio hand held 5+1 channel

**SG 10303**

Radio hand held 10+2+1 channel

**SG 10804**

Radio hand held 15+5+1 channel

**SG 11480**

Radio wall transmitter 1 channel

**SG 11490**

Radio wall transmitter 5+1 channel





